

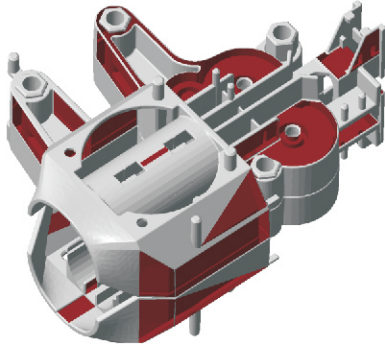


Model Repair Service

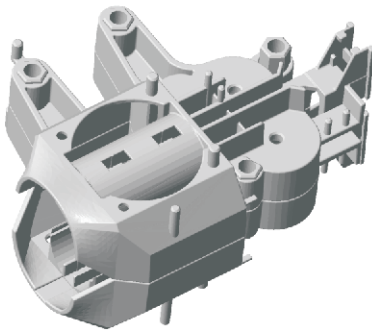
Reduce costs and increase efficiency with automatic data processing for Additive Manufacturing—a cloud based software service tailored for your 3D Printing and Additive Manufacturing business.

netfabb Model Repair Services

Automatic file repair with a success rate of over 99%



Before: typical file with mesh errors—visualized in red



After: perfectly printable model

A spell checker for 3D Printing

netfabb Model Repair Services will save you time and money by taking care of the many common errors in 3D models that otherwise would require manual repair by a dedicated designer. The service closes holes in the model, fixes face normals, removes self-intersections, and more.

Integrated service for your website or app

netfabb's Model Repair Service is the definite solution for 3D Printing and Additive Manufacturing business processes to handle every file that visitors throw at your website, taking away uploading, analysing, fixing headaches.

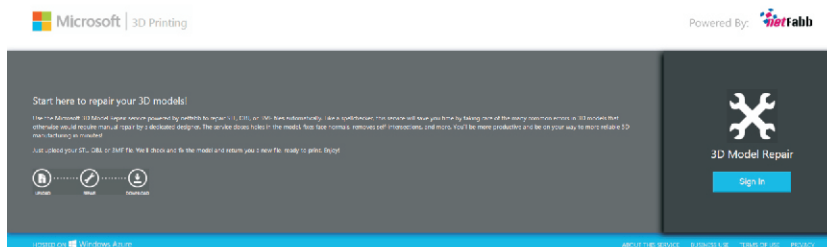
Focus on your core business

Eliminate tasks distracting you from your core business. Ensuring data integrity without interaction is a crucial component of your success and your earning generating workflow.

Improve your customer's experience

- Deliver instant quoting with automatic extraction of part data and thumbnails.
- Avoid the trouble and cost of manually dealing with sorting of files, verification of printability and repair of broken geometries for production.
- Implement your custom pricing based on correct part volume, surface area, support volume, and more.
- Connect to your ERP system, and enhance your internal processes with an easy to use Model Repair Service.

Microsoft® Azure Model Repair powered by netfabb



Repair your 3D models!

For non-commercial purposes, use the free Microsoft® Azure Model Repair powered by netfabb

at <https://modelrepair.azurewebsites.net>.

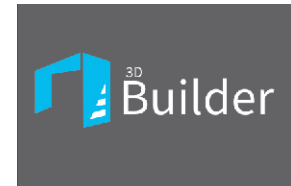
Use your Microsoft® account to upload and repair STL, OBJ and 3MF files within seconds—and forget about all file troubles you might experience with your personal 3D printer.

Create a profitable business

netfabb will improve your daily workflow

Automate your processes

The service can automatically address a large amount of files that normally would have to be handled manually. It will reduce your costs while improving your speed of handling, quality, and review of the 3D Printing data.



Benefit from our expertise

netfabb model repair is the most widely used file fixing system within the 3D Printing industry today. Our core algorithms are tested and refined over many years and have an excellent fixing rate. We can repair most types of defects, whether they come from CAD translation, modeling errors, or even from digital scans.



Popular services trust and use netfabb

Shapeways, 3D Hubs and the Microsoft® Builder App have successfully used netfabb's Model Repair solutions for their 3D model checks for years.



Full scalability

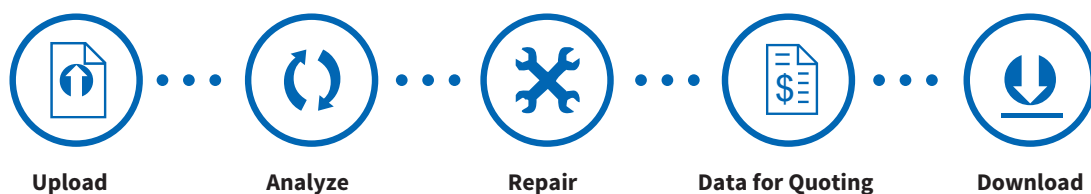
netfabb Model Repair Service is hosted on the Microsoft® Azure cloud computing platform which provides performance, stability and reliability as workloads increase in size and complexity. Avoid the hassle of managing infrastructure by using a proven system.

Secure data handling

All transfers are secured via SSL, and the data is hosted in the Microsoft® Azure Storage environment in the United States. All stored data is anonymized and purged after a certain time period or on request.



How it works



Fast and smooth integration via REST

netfabb Model Repair Service is easy to implement on your server or website. The service can be accessed via a straight-forward to use REST API. After ordering, we will create your personal account, and you are able to start. Code examples, documentation and libraries are provided in PHP and .NET.

netfabb Model Repair Service

Choose the right package for your business

	Win/iOS Apps	Web	Enterprise	Server Solution
Commercial use	no	yes		
File storage limit (GB)	0.5	5		
File storage limit (days)	5	7		
Processing	shared	shared		
Reserved instances				
Job queue		Priority	Dedicated	Dedicated
Integration	Rest API	API	API	Server Installation
Functionality				
Model repair	yes	yes	yes	yes
Provision of main file data		yes	yes	yes
Color and texture support		yes	yes	yes
Thumbnail rendering			yes	yes
Wall thickness calculation			yes	yes
Scaling & transformation			yes	yes
Customization			yes	yes
Support				
Service Level Agreement			yes	yes
Phone support			yes	yes
Email support		yes	yes	yes
Billing		quarterly	Ask for quote	Ask for quote
Attribution				
Referencing	yes	yes		
Backlink	yes	yes		

Reduce your costs while improving your speed of handling, quality and review of 3D Printing data!

Stop wasting your precious time and resources. Contact netfabb today and visit www.netfabb.com/netfabbcloud

