

2014
XV Crosstrek
XV Crosstrek Hybrid



Love. It's what makes a Subaru, a Subaru.





409

1 | 2014 XV Crosstrek

Think it. Do it. Make it count.

The 2014 Subaru XV Crosstrek

The 2014 XV Crosstrek is all about going places, respectfully. From the feisty XV Crosstrek 2.0i to the all-new XV Crosstrek Hybrid, this is a compact crossover with few peers. It's the perfect blend of all-wheel-drive capability and long-distance efficiency. Now you can explore more, and leave behind even less.

XV Crosstrek 2.0i Limited in Desert Khaki with accessory equipment.



Capable

Warning. Bigger plans may occur. Standard Subaru Symmetrical AWD can handle the slippery and twisty, while its 8.7 inches of ground clearance make uneven roads and steep inclines less challenging.

Clean

The XV Crosstrek was a born leader in efficiency and environmental sensitivity, and the all-new, ultra-efficient XV Crosstrek Hybrid pushes the envelope even further. Not only is it the most fuel-efficient AWD crossover in America¹; it also earned the Advanced Technology Partial Zero Emission Vehicle rating (AT-PZEV)² from the California Air Resources Board, making it the ultimate vehicle for courteous adventurers.

Entertaining

Now you can escape it all, but stay connected at the same time. The available navigation system includes the Subaru STARLINK™ system featuring Aha™ connected service³, which keeps you in the loop with food, news, weather, podcasts, audiobooks, and more. You can also enjoy Bluetooth® streaming, HD Radio® and SiriusXM® Satellite Radio⁴.

Versatile

The XV Crosstrek is ready when you are. Its generous cargo area and roof rails with available cross bars accommodate most adventures, while ample passenger room keeps things comfy for everyone inside.

1 Based on EPA estimated fuel economy for 2014 XV Crosstrek CVT models compared to AWD vehicles with Polk's Non-Luxury Compact CUV segment.
2 2014 Subaru XV Crosstrek Hybrid vehicles achieving an Advanced Technology Partial Zero Emission Vehicle (AT-PZEV) rating by the California Air Resources Board are available in all 50 states. Only those vehicles that are registered in the states of California, Connecticut, Maine, Maryland, Massachusetts, New Jersey, New York, Rhode Island and Vermont will be eligible for the 10 years/150,000 mile Hybrid Electric Vehicle battery warranty. For vehicles registered in all other U.S. states, the Hybrid Electric Vehicle battery warranty will be 8 years/80,000 miles. See your warranty maintenance booklet for additional information.
3 Compatible smartphone and free Aha app required. For Aha to operate, latest version of Aha application and optional integrated audio and navigation system unit required. Data provided by smartphone is displayed on navigation screen. Some state laws prohibit the operation of handheld electronic devices while operating a vehicle. Smartphone apps should only be launched when vehicle is safely parked. Aha is a trademark of HARMAN International Industries, Incorporated. Your wireless carrier's rates may apply.
4 Activation and required monthly subscription sold separately. Includes 4-month trial subscription. See your dealer.



“It looks brawny but stays compact, it retains the practicality of a hatchback but rides higher, it handles like a car on the road but tolerates rougher off-road conditions, and its cargo space, gear storage, and versatility—plus Subaru’s characteristic all-wheel drive—make it remarkably useful under conditions that vary from the mall to the ski slopes, or the beach to the trailhead.”

— *thecarconnection.com*, August 2013

“XV Crosstrek: the best crossover hybrid value in America.”¹

— *R.L. Polk & Co.*

“Subaru has racked up more endorsements by independent arbiters of automotive quality and safety than just about any other manufacturer.”²

— *FORTUNE Magazine*, December 3, 2012

“... XV Crosstrek supplements its solid road manners with a surprising level of off-road proficiency and the best fuel economy of any all-wheel-drive (AWD) SUV on the market.”³

— *Kelley Blue Book’s KBB.com*, 2013 XV Crosstrek Review



¹ Based on MSRP of Polk’s U.S. Total Registrations in the CUV segments for hybrid vehicles for January 2013 thru May 2013.

² Excerpted from *FORTUNE Magazine*, December 3, 2012 © 2012 Time Inc. Used under license. *FORTUNE* and Time Inc. are not affiliated with, and do not endorse products or services of, Subaru.

³ From 2013 Subaru XV Crosstrek Review on Kelley Blue Book’s *www.KBB.com*. Kelley Blue Book is a registered trademark of Kelley Blue Book Co., Inc.

When you're this clean, you don't have to worry about getting dirty.

Introducing the all-new 2014 XV Crosstrek Hybrid

The all-new 2014 XV Crosstrek Hybrid is truly in a class of its own. Not only does it give you the ruggedness and ground clearance of an SUV, with the lower carbon footprint of a hybrid, it's also the most fuel-efficient AWD crossover in America¹. And this hybrid really walks the walk. It was awarded a merit that even some other hybrids don't achieve—the Advanced Technology Partial Zero Emission Vehicle rating (AT-PZEV)² by the California Air Resources Board. Every XV Crosstrek Hybrid rolls off our assembly line at our zero-landfill plant, making it the ideal vehicle for explorers with a conscience. Thankfully, all this environmental sensitivity doesn't come at the expense of performance. Seize the day with 8.7 inches of ground clearance, Subaru Symmetrical AWD, and the smooth, powerful Subaru Hybrid System with zero-emission EV mode.



¹ Based on EPA estimated fuel economy for 2014 XV Crosstrek CVT models compared to AWD vehicles with Polk's Non-Luxury Compact CUV segment.
² 2014 Subaru XV Crosstrek Hybrid vehicles achieving an Advanced Technology Partial Zero Emission Vehicle (AT-PZEV) rating by the California Air Resources Board are available in all 50 states. Only those vehicles that are registered in the states of California, Connecticut, Maine, Maryland, Massachusetts, New Jersey, New York, Rhode Island and Vermont will be eligible for the 10 years/150,000 mile Hybrid Electric Vehicle battery warranty. For vehicles registered in all other U.S. states, the Hybrid Electric Vehicle battery warranty will be 8 years/80,000 miles. See your warranty maintenance booklet for additional information.



Leave civilization behind.
Take convenience with you.

The XV Crosstrek puts your music, phone calls and cruise control all close at hand with standard steering-wheel-mounted controls. There's also an available voice-activated navigation system that includes the Subaru STARLINK™ system featuring Aha™ connected service¹, which keeps you on track with food, news, weather, podcasts, audiobooks, and more. Available automatic climate control ensures you'll have custom comfort without having to turn too many dials. Standard heated seats keep things warm and inviting, while the available moonroof puts a fantastic view well within reach.

¹ Compatible smartphone and free Aha app required. For Aha to operate, latest version of Aha application and optional integrated audio and navigation system unit required. Data provided by smartphone is displayed on navigation screen. Some state laws prohibit the operation of handheld electronic devices while operating a vehicle. Smartphone apps should only be launched when vehicle is safely parked. Aha is a trademark of HARIMAN International Industries, Incorporated. Your wireless carrier's rates may apply.

XV Crosstrek 2.0i Limited with Black Leather and optional equipment.



All in to go all out.

XV Crosstrek 2.0i Limited with Ivory Leather and optional equipment.

11 | 2014 XV Crosstrek

Equipped for playing and built for doing.



Engaged Driving

The athletic grip of the XV Crosstrek will have you craving the curves. Its double wishbone rear suspension supplies tight, responsive handling that keeps things lively and fun behind the wheel. While its low center of gravity helps keep it light on its feet and ready for action.



Versatile Space

When you never stop doing, you need a lot of room to do it in. The XV Crosstrek supplies up to 51.9 cubic feet of storage space with the rear seats down. And the 60/40-split flat-folding rear seats make room for long cargo and a passenger on the same drive.

33
MPG

Fuel-efficient

With 148 hp, the XV Crosstrek packs enough power to entertain, while still earning up to 33 highway MPG¹ with its smart Lineartronic[®] Continuously Variable Transmission (CVT). In fact, on a full tank this efficient crossover can take you over 500 miles². And you can drive even more efficiently in the all-new XV Crosstrek Hybrid, with the peace of mind of having the Advanced Technology Partial Zero Emission Vehicle (AT-PZEV)³ rating, awarded to some of the more advanced hybrids on the road.



Connected Tech

Now available with Subaru STARLINK™ featuring Aha™ connected service,⁴ the XV Crosstrek takes connectivity to another level. Browse the web for podcasts, Internet radio, audiobooks, and personalized restaurant and hotel searches. Stream your tunes via Bluetooth[®], plug in your iPod[®] or cruise to the optional SiriusXM[®] Satellite Radio⁵ and HD Radio[®]. And getting there is a breeze with the available voice-activated navigation system and NavTraffic^{®6}.



Advanced Safety

Subaru vehicles have a well-deserved reputation for safety and XV Crosstrek is no exception. Thanks to a plethora of features—seven airbags⁸, a rollover sensor, VDC electronic stability control and a Ring-shaped Reinforcement Frame body structure—the XV Crosstrek has been named a 2013 IIHS Top Safety Pick Plus.⁷



Subaru Symmetrical AWD

Don't hold back. With 8.7 inches of ground clearance to handle rough stuff and Subaru Symmetrical AWD continually gripping the road, the XV Crosstrek can help get you out to the best spots—even through rough roads and rough weather.

¹ EPA estimated fuel economy for 2014 Subaru XV Crosstrek 2.0i Lineartronic[®] CVT at 33 highway MPG. Actual mileage may vary.
² Driving range based on 15.9-gallon fuel tank capacity and EPA estimated fuel economy for 2014 Subaru XV Crosstrek 2.0i Lineartronic[®] CVT at 33 highway MPG (excludes XV Crosstrek Hybrid). Actual driving range may vary.
³ 2014 Subaru XV Crosstrek Hybrid vehicles achieving an Advanced Technology Partial Zero Emission Vehicle (AT-PZEV) rating by the California Air Resources Board are available in all 50 states. Only those vehicles that are registered in the states of California, Connecticut, Maine, Maryland, Massachusetts, New Jersey, New York, Rhode Island and Vermont will be eligible for the 10 years/150,000 mile Hybrid Electric Vehicle battery warranty. For vehicles registered in all other U.S. states, the Hybrid Electric Vehicle battery warranty will be 8 years/80,000 miles. See your warranty maintenance booklet for additional information.
⁴ Compatible smartphone and free Aha app required. For Aha to operate, latest version of Aha application and optional integrated audio and navigation system unit required. Data provided by smartphone is displayed on navigation screen. Some state laws prohibit the operation of handheld electronic devices while operating a vehicle. Smartphone apps should only be launched when vehicle is safely parked. Aha is a trademark of HARMAN International Industries, Incorporated. Your wireless carrier's rates may apply.
⁵ Activation and required monthly subscription sold separately. Includes 4-month trial subscription. See your dealer.
⁶ Always wear seatbelts. Children should be properly restrained in the rear seat.
⁷ Top Safety Pick Plus winners must earn good ratings for occupant protection in at least 4 of 5 evaluations, with no less than acceptable in the fifth test. Ratings based on Insurance Institute for Highway Safety's (IIHS's) 40-mile-per-hour moderate overlap frontal crash test, 40-mile-per-hour small overlap frontal crash test, 31-mile-per-hour side-impact test, 20-mile-per-hour rear-impact test, and roof-strength test. For more information, contact IIHS or visit their website at www.iihs.org.

2014 XV Crosstrek | Trim Levels



2.0i Premium

- 148-hp 2.0-liter 4-cylinder SUBARU BOXER® engine
- Subaru Symmetrical All-Wheel Drive
- 5-speed manual transmission or optional Lineartronic® CVT (Continuously Variable Transmission) with manual-mode paddle shifters
- Fog lights
- 17-inch aluminum-alloy wheels
- Roof rails, black finish
- Cloth upholstery
- 6-speaker single-CD audio system with USB port/iPod® control, Bluetooth® connectivity and 3.5-mm auxiliary jack
- 6-way manually adjustable driver's seat. 4-way manually adjustable front-passenger's seat.
- Cargo-area tray
- All-Weather Package



2.0i Limited

Includes 2.0i Premium key features and adds:

- Lineartronic® CVT (Continuously Variable Transmission) with manual-mode paddle shifters
- Leather-wrapped 3-spoke steering wheel
- Leather-trimmed upholstery
- Automatic climate control system
- 6-speaker single-CD audio system with 4.3-inch LCD display, HD Radio®, USB port/iPod® control, Bluetooth® connectivity and 3.5-mm auxiliary jack
- Auto-on/off headlights
- Rear-Vision Camera



Hybrid

- Subaru Hybrid System with 2.0-liter SUBARU BOXER® engine featuring EV mode, regenerative braking and auto start-stop technology
- Subaru Symmetrical All-Wheel Drive
- Lineartronic® CVT (Continuously Variable Transmission) with manual-mode paddle shifters
- Fog lights
- Body-color side mirrors with integrated turn signals
- Body-color door handles with chrome accents
- 17-inch aluminum-alloy wheels
- Roof rails, black finish
- Cloth upholstery
- Silver metallic interior trim
- 6-way manually adjustable driver's seat. 4-way manually adjustable front-passenger's seat.
- 6-speaker single-CD audio system with USB port/iPod® control, Bluetooth® connectivity and 3.5-mm auxiliary jack
- Enhanced color multifunction display
- Leather-wrapped steering wheel with silver stitching
- Automatic climate control system
- Auto-on/off headlights
- All-Weather Package
- Rear-Vision Camera
- Keyless Access & Start
- L.E.D. taillights

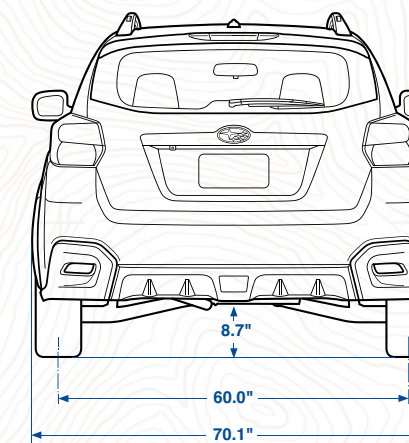
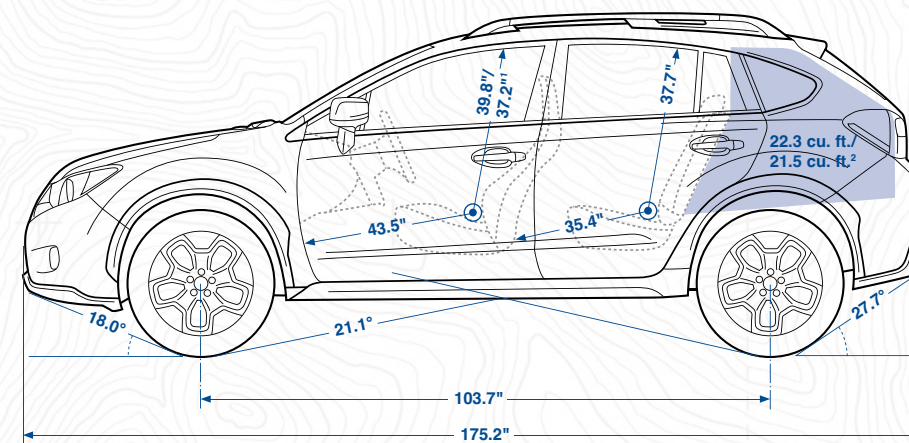


Hybrid Touring

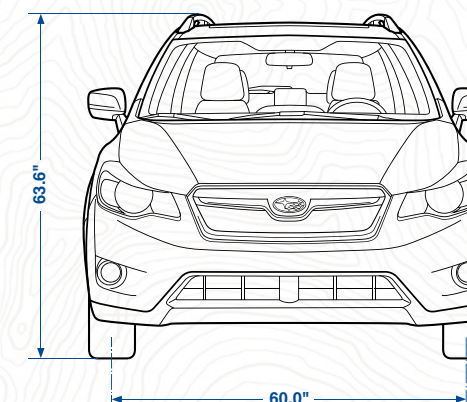
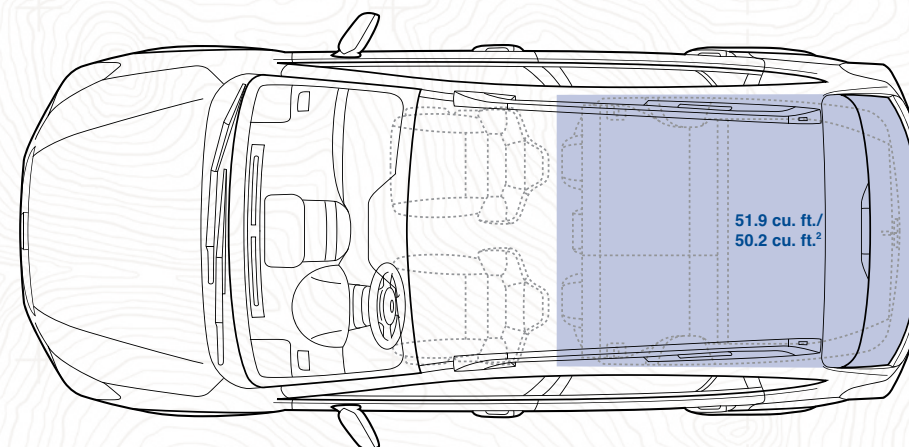
Includes Hybrid key features and adds:

- Power tilt/sliding-glass moonroof
- Leather-trimmed upholstery
- High-resolution 6.1-inch touch-screen voice-activated GPS navigation system and integrated audio system with 6 speakers, Subaru STARLINK™ system featuring Aha™ connected service¹; HD Radio® with iTunes® tagging capability, SMS text messaging capability, USB port/iPod® control, SiriusXM® Satellite Radio² and NavTraffic³; Bluetooth® audio streaming and hands-free phone connectivity and 3.5-mm auxiliary jack

2014 XV Crosstrek | Dimensions



| | |
|----------------------------|--|
| Length/Width/Height | 175.2 inches/70.1 inches (78.2 inches, including side mirrors ³)/63.6 inches (with roof rails) |
| Wheelbase | 103.7 inches |
| Track (front/rear) | 60.0 inches/60.0 inches |
| Base curb weight | 2.0i Premium: 3,098 lbs/3,175 lbs 2.0i Limited: N/A/3,197 lbs Hybrid: N/A/3,451 lbs Hybrid Touring: N/A/3,484 lbs |



| | |
|-----------------------------------|--|
| Headroom (front/rear) | 39.8 inches/37.7 inches (with moonroof: 37.2 inches/37.7 inches) |
| Legroom (front/rear) | 43.5 inches/35.4 inches |
| Shoulder room (front/rear) | 55.6 inches/54.2 inches |
| Hip room (front/rear) | 52.2 inches/53.1 inches |
| Passenger volume | 97.5 cubic feet (with moonroof: 94.0 cubic feet) |
| Cargo volume | 2.0i: 22.3 cubic feet Hybrid: 21.5 cubic feet |
| Maximum Cargo Volume | 2.0i: 51.9 cubic feet with rear seatback lowered Hybrid: 50.2 cubic feet with rear seatback lowered |

¹ Compatible smartphone and free Aha app required. For Aha to operate, latest version of Aha application and optional integrated audio and navigation system unit required. Data provided by smartphone is displayed on navigation screen. Some state laws prohibit the operation of handheld electronic devices while operating a vehicle. Smartphone apps should only be launched when vehicle is safely parked. Aha is a trademark of HARMAN International Industries, Incorporated. Your wireless carrier's rates may apply.
² Activation and monthly subscription sold separately. Includes 4-month trial subscription. See your dealer.
³ Hybrid: 78.8 inches with integrated turn signals.

2014 XV Crosstrek | Specifications

| Engine and Drivetrain | | 2.0i | Hybrid |
|---------------------------------------|---|---|----------------------|
| Power Torque | 2.0-liter DOHC aluminum-alloy 16-valve horizontally opposed 4-cylinder SUBARU BOXER® engine with Dual Active Valve Control System. 148 hp @ 6,200 rpm 145 lb-ft @ 4,200 rpm | ● | — |
| Subaru Hybrid System | 2.0-liter DOHC aluminum-alloy 16-valve horizontally opposed 4-cylinder SUBARU BOXER® engine with Dual Active Valve Control System and permanent magnet hybrid drive electric motor. | — | ● |
| Power Torque | Total System Power: 160 hp @ 6,000 rpm 163 lb-ft @ 2,000 rpm | | |
| Hybrid Battery Type | Nickel-metal hydride battery (Ni-MH) with battery cooling system. Max output: 13.5 kW | — | ● |
| Transmission | Fully synchronized 5-speed manual. 2.0i Premium: Standard. 2.0i Limited, Hybrid and Hybrid Touring: N/A. | ● | — |
| | Lineartronic® CVT (Continuously Variable Transmission) with manual-mode paddle shifters. 2.0i Premium: Optional. 2.0i Limited, Hybrid and Hybrid Touring: Standard. | ○ | ● |
| CA Emissions | | PZEV ¹ | AT-PZEV ² |
| Traction and Stability | | | |
| All-Wheel Drive type | Subaru Symmetrical All-Wheel Drive | ● | ● |
| Vehicle Dynamics Control (VDC) | VDC electronic stability control utilizes sensors which constantly monitor wheel speeds, steering angle, brake pressure, vehicle yaw rate and lateral g-forces. If VDC detects a difference between the driver's intended path and the one the vehicle is actually taking, VDC applies braking power and/or reduces engine torque to help correct vehicle path. | ● | ● |
| Traction Control System (TCS) | VDC also incorporates an all-wheel, all-speed traction control system which senses a loss of traction and applies braking force to the slipping wheel or wheels as necessary to maintain vehicle motion. | ● | ● |
| Fuel | | | |
| Fuel Economy | city/highway/combined ³ | Manual: 23/30/26 mpg CVT: 25/33/28 mpg | 29/33/31 |
| Fuel Requirement | Unleaded gasoline (87 octane) | ● | ● |
| Fuel Capacity | 15.9 gallons | ● | — |
| | 13.7 gallons | — | ● |

Subaru Badge of Ownership



True commitment shows through. For Subaru owners, it shows in kayak scuffs and mud-coated boots. It can take the form of dog hair that just won't come out, fresh coats of dust, or extra coats of wax. For many, the Subaru Badge of Ownership lets them show their commitment to the life they live and the confidence that has inspired them to fully embrace it. Owners can order badges online for free, stick them on, and let everyone know how they experience the world. Which one would you get?

2014 XV Crosstrek | Specifications

| Chassis | | 2.0i | Hybrid |
|---------------------------------|--|------|--------|
| Steering | Electric power-assisted rack-and-pinion. Hybrid: Quick ratio. Turning circle: 34.8 feet. | ● | ● |
| Suspension | 4-wheel independent raised. Front: MacPherson strut type. Stabilizer bar. Rear: Double wishbone. Stabilizer bar. | ● | ● |
| Brakes | 4-wheel disc, ventilated front. 4-channel, 4-sensor ABS with Electronic Brake-force Distribution (EBD). | ● | ● |
| Brake Discs (front/rear) | 11.6 inches/10.8 inches | ● | ● |
| Brake Assist | When emergency braking is detected by how quickly the brake pedal is pressed, maximum brake pressure is immediately applied. | ● | ● |
| Brake Override System | If both brake and accelerator pedals are pressed simultaneously, the system reduces the operation of the accelerator pedal to help prevent unintentional vehicle acceleration. | ● | ● |
| Wheels and Tires | | | |
| Wheels | 2.0i Premium and 2.0i Limited: 17 x 7.0-inch 5-spoke aluminum-alloy. Dark gray with machine finish. | ● | — |
| | Hybrid and Hybrid Touring: 17 x 7.0-inch lightweight/aerodynamic 5-spoke aluminum-alloy. Dark gray with machine finish. | — | ● |
| Tires | 2.0i Premium and 2.0i Limited: 225/55 R17 95H all-season | ● | — |
| | Hybrid and Hybrid Touring: 225/55 R17 95H all-season low-rolling resistance | — | ● |
| Spare Tire | Temporary use T145/90 D16 | ● | — |
| | Tire Repair Kit | — | ● |

Protecting Your Investment

Once you're part of our family, we'll be there for you. Every Subaru comes with 24-hour roadside assistance for 3 years or 36,000 miles. If you have trouble on the road, a tow to the nearest Subaru dealership and other services are just a phone call away. And to protect you over the long haul, we offer Added Security®—extended service agreements and maintenance plans that will help protect your car for up to 7 years or 100,000 miles. They're the only mechanical and maintenance plans backed by Subaru, and because we've been backing them for more than 30 years, they're agreements you can trust. Your dealer has full coverage details.

Warranties

| | |
|--|---|
| New Car Limited Warranty | 3 years or 36,000 miles, whichever comes first. |
| Powertrain Limited Warranty | 5 years or 60,000 miles, whichever comes first. |
| Wear Item Limited Warranty | 3 years or 36,000 miles, whichever comes first. |
| | Repairs to the following items will also be covered under Wear Item Limited Warranty: |
| | <ul style="list-style-type: none"> ● Brake Pads ● Clutch Linings ● Wiper Blades ● Transmitter Batteries |
| Rust Perforation Limited Warranty | 5 years, unlimited mileage. |

● Standard ○ Optional — Not equipped

2014 XV Crosstrek | Equipment

| Exterior | 2.0i Premium | 2.0i Limited | Hybrid | Hybrid Touring |
|--|------------------|-----------------|--------|----------------|
| Fog lights | ● | ● | ● | ● |
| Body-color folding side mirrors | ● | ● | — | — |
| Body-color folding side mirrors with integrated turn signals | — | — | ● | ● |
| Body-color door handles | ● | ● | — | — |
| Body-color door handles with chrome accents | — | — | ● | ● |
| Heated side mirrors and windshield wiper de-icer (All-Weather Package) | ● | ● | ● | ● |
| Active grille shutter | — | — | ● | ● |
| Roof rails, black finish | ● | ● | ● | ● |
| Power tilt/sliding-glass moonroof (95% UVA and 99% UVB light reducing) ⁴ | ○ ^{5,6} | ○ ⁷ | — | ● |
| Seating and Trim | | | | |
| 6-way manually adjustable driver's seat. 4-way manually adjustable front-passenger's seat. | ● | ● | ● | ● |
| Heated front seats (All-Weather Package) | ● | ● | ● | ● |
| 60/40-split flat-folding rear seatback | ● | ● | ● | ● |
| Leather-trimmed steering wheel | — | ● | — | — |
| Leather-trimmed steering wheel with silver stitching | — | — | ● | ● |
| Leather-trimmed shifter handle | — | ● | ● | ● |
| Silver metallic interior accent trim | — | — | ● | ● |
| Cloth upholstery | ● | — | ● | — |
| Leather-trimmed upholstery | — | ● | — | ● |
| Convenience Features | | | | |
| Rear-Vision Camera | ○ ⁷ | ● | ● | ● |
| Auto-on/off headlights | — | ● | ● | ● |
| Driver's auto-up/down power window | ● | ● | ● | ● |
| Electronic cruise control | ● | ● | ● | ● |
| 3-spoke steering wheel with audio, cruise control and Bluetooth® hands-free phone on/off controls | ● | ● | ● | ● |
| Automatic transmission manual-mode paddle shifters | ○ | ● | ● | ● |
| Manually adjustable tilt/telescoping steering column | ● | ● | ● | ● |
| Center console with sliding armrest lid | ● | ● | ● | ● |
| Cargo-area underfloor storage | — | — | ● | ● |
| Removable cargo-area tray | ● | ● | ● | ● |
| Audio System | | | | |
| 6-speaker single-CD audio system with USB port/iPod® control, Bluetooth® audio streaming and hands-free phone connectivity, and 3.5-mm auxiliary jack | ● | — | ● | — |
| 6-speaker single-CD audio system with 4.3-inch LCD display, HD Radio® with iTunes® tagging, USB port/iPod® control, Bluetooth® audio streaming and hands-free phone connectivity, 3.5-mm auxiliary jack and Rear-Vision Camera | — | ● | — | — |
| High-resolution 6.1-inch touch-screen voice-activated GPS navigation system and integrated audio system with 6 speakers, Subaru STARLINK™ system featuring Aha™ connected service ⁸ HD Radio® with iTunes® tagging capability, SMS text messaging capability, USB port/iPod® control, SiriusXM® Satellite Radio ⁹ and NavTraffic, ^{9a} Bluetooth® audio streaming and hands-free phone connectivity, 3.5-mm auxiliary jack and Rear-Vision Camera | ○ ^{5,6} | ○ ¹⁰ | — | ● |
| Climate Control | | | | |
| Manually adjustable CFC-free air-conditioning system with rotary controls for temperature, 4-speed fan and airflow direction | ● | — | — | — |
| Automatic climate control system with CFC-free air conditioning and rotary controls for temperature, fan and airflow direction | — | ● | ● | ● |
| Instrumentation | | | | |
| Analog speedometer, tachometer, “eco” fuel economy and fuel level gauges with LCD display | ● | ● | ● | ● |
| Multifunction display with driving range, average fuel economy, journey time, average vehicle speed, clock and ambient temperature gauge with road surface freeze warning indicator | ● | ● | — | — |
| Enhanced color multifunction display for average fuel economy, driving range, clock, ambient temperature, climate control, hybrid drivetrain flow, Rear-Vision Camera and other vehicle functions | — | — | ● | ● |

2014 XV Crosstrek | Equipment

| Security | 2.0i Premium | 2.0i Limited | Hybrid | Hybrid Touring |
|---|------------------|-----------------|--------|----------------|
| Keyless entry system with answer-back electronic chirp | ● | ● | ● | ● |
| Keyless Access & Start | — | — | ● | ● |
| Antitheft security system with engine immobilizer | ● | ● | ● | ● |
| Safety | | | | |
| ACTIVE | | | | |
| Subaru Symmetrical All-Wheel Drive (AWD) | ● | ● | ● | ● |
| Vehicle Dynamics Control (VDC) | ● | ● | ● | ● |
| Traction Control System (TCS) | ● | ● | ● | ● |
| 4-wheel antilock braking system (ABS) with Electronic Brake-force Distribution (EBD) | ● | ● | ● | ● |
| Brake Assist | ● | ● | ● | ● |
| Brake Override System | ● | ● | ● | ● |
| Tire Pressure Monitoring System (TPMS) | ● | ● | ● | ● |
| Daytime Running Lights (DRL) | ● | ● | ● | ● |
| PASSIVE | | | | |
| Dual-stage deployment driver and front-passenger front airbags (SRS) ¹¹ | ● | ● | ● | ● |
| Subaru advanced frontal airbag system (SRS) ¹¹ | ● | ● | ● | ● |
| Side-curtain airbags protecting front and rear outboard occupants (SRS) ¹¹ | ● | ● | ● | ● |
| Seat-mounted front side-impact airbags (SRS) ¹¹ | ● | ● | ● | ● |
| Driver's side knee airbag (SRS) ¹¹ | ● | ● | ● | ● |
| Whiplash protection front seats | ● | ● | ● | ● |
| Height-adjustable front seat head restraints | ● | ● | ● | ● |
| Three individual rear seat head restraints | ● | ● | ● | ● |
| Height-adjustable 3-point front seatbelts with pretensioners and force limiters. 3-point seatbelts at all rear seating positions. | ● | ● | ● | ● |
| LATCH system: Lower Anchors and Tethers for Children | ● | ● | ● | ● |
| Optional Equipment | | | | |
| Lineartronic® CVT (Continuously Variable Transmission) | ○ | ● | ● | ● |
| Power tilt/sliding-glass moonroof (95% UVA and 99% UVB light reducing) ⁴ | ○ ^{5,6} | ○ ⁷ | — | ● |
| Navigation System: High-resolution 6.1-inch touch-screen voice-activated GPS navigation system and integrated audio system with 6 speakers, Subaru STARLINK™ system featuring Aha™ connected service ⁸ HD Radio® with iTunes® tagging capability, SMS text messaging capability, USB port/iPod® control, SiriusXM® Satellite Radio ⁹ and NavTraffic, ^{9a} Bluetooth® audio streaming and hands-free phone connectivity, 3.5-mm auxiliary jack and Rear-Vision Camera | ○ ^{5,6} | ○ ¹⁰ | — | ● |

● Standard ○ Optional — Not equipped

¹ 2014 Subaru XV Crosstrek 2.0L models achieving a Partial Zero Emission Vehicle (PZEV) rating by the California Air Resources Board are available in all 50 states. Only those registered in California, Connecticut, Maine, Maryland, Massachusetts, New Jersey, New York, Rhode Island and Vermont will be eligible for the 15 years/150,000 mile emission warranty. Delaware, Oregon, Pennsylvania and Washington vehicles are not covered under PZEV emissions control warranty. See your warranty maintenance booklet for additional information. ² 2014 Subaru XV Crosstrek Hybrid vehicles achieving an Advanced Technology Partial Zero Emission Vehicle (AT-PZEV) rating by the California Air Resources Board are available in all 50 states. Only those vehicles that are registered in the states of California, Connecticut, Maine, Maryland, Massachusetts, New Jersey, New York, Rhode Island and Vermont will be eligible for the 10 years/150,000 mile Hybrid Electric Vehicle battery warranty. For vehicles registered in all other U.S. states, the Hybrid Electric Vehicle battery warranty will be 8 years/80,000 miles. See your warranty maintenance booklet for additional information. ³ 2014 EPA fuel economy estimates. Actual mileage may vary. ⁴ The glass information listed represents calculated reference values, and may not represent actual values determined by testing. ⁵ Requires Lineartronic® CVT. ⁶ Moonroof not available with navigation system. ⁷ Requires navigation system. ⁸ Compatible smartphone and free Aha app required. For Aha to operate, latest version of Aha application and optional integrated audio and navigation system unit required. Data provided by smartphone is displayed on navigation screen. Some state laws prohibit the operation of handheld electronic devices while operating a vehicle. Smartphone apps should only be launched when vehicle is safely parked. Aha is a trademark of HARMAN International Industries, Incorporated. Your wireless carrier's rates may apply. ⁹ Activation and required monthly subscription sold separately. Includes 4-month trial subscription. See your dealer. ¹⁰ Requires moonroof. ¹¹ The Supplemental Restraint System (SRS) (airbags) affords the driver and the front and rear outboard passengers additional protection in moderate to severe frontal and side-impact collisions. This system provides supplemental protection only, and seatbelts must be worn in order to avoid injuries to out-of-position occupants upon airbag deployment and to provide the best combined protection in a serious accident. Children should always be properly restrained in the rear seat.

2014 XV Crosstrek | Accessories



Trailer Hitch. Rated at 200 lbs tongue weight with 1,500 lbs of towing capacity. Engineered to the same rigorous standards as the rest of the XV Crosstrek.

Hitch ball not included. Trailer brakes may be required. Excludes Hybrid models.



Rear Bumper Cover. Helps protect the upper surface of the painted bumper from scratches and dings.



Remote Engine Starter. Allows vehicle to start from the convenience of home or the office (up to 400 feet away depending on obstructions) so that the vehicle interior temperature is more comfortable upon entry. Remote confirms when vehicle engine has been started.

A/T only. A different Remote Engine Starter system is available for Hybrid models.



Body Side Moldings. Attractive color-matched moldings coordinate with the styling of the vehicle while helping to protect the doors from unsightly dings.



Sports Mesh Grille. Bold metal mesh design that adds an aggressive look to the XV Crosstrek. Grille comes pre-painted and ready to install.



Crossbar Set—Aero. May be used in conjunction with Genuine Subaru roof attachments and carriers.

Consult vehicle Owner's Manual for total roof-load limit.



All-weather Floor Mats. Custom-fitted heavy gauge floor mats help protect the vehicle carpet from sand, dirt and moisture.

Not intended for use on top of Carpeted Floor Mats.



Roof Cargo Carrier. Provides 13 cubic feet of lockable storage capacity. Opens from rear to accommodate loading from three sides. Measures 56"L x 36"W x 18"H.

Requires Crossbar Kit. Consult vehicle Owner's Manual for total roof-load limit.



Rear Seatback Protectors. Help protect the rear seatbacks from dirt and spills when the rear seats are folded flat.



Side Window Deflectors. Designed to let the fresh air in while helping to keep the rain out of the vehicle. Black acrylic plastic construction is designed specifically for an exact fit.

May not be legal in all states. Please check the laws of your state.



Auto-dimming Mirror with HomeLink. Mirror darkens when headlights are detected from behind the vehicle. Includes electronic compass and three integrated HomeLink buttons which can be programmed to operate most garage-door openers and other HomeLink-compatible devices.



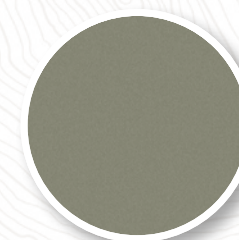
Splash Guards. Help protect vehicle paint finish from stones and road grime. Set of four.

2014 XV Crosstrek | Colors

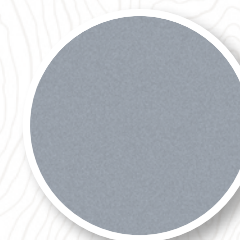
Paint



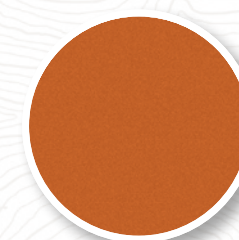
Satin White Pearl



Desert Khaki



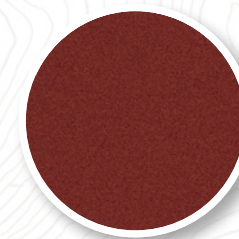
Ice Silver Metallic



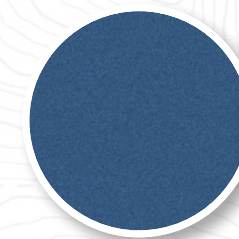
Tangerine Orange Pearl



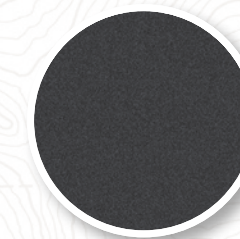
Plasma Green



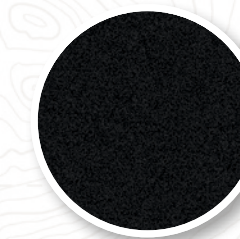
Venetian Red Pearl



Quartz Blue Pearl

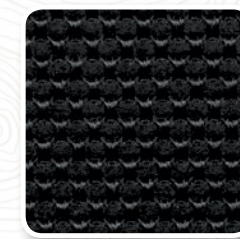


Dark Gray Metallic

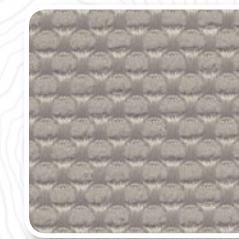


Crystal Black Silica

Upholstery



Black Cloth (BC)



Ivory Cloth (IC)



Black Leather (BL)



Ivory Leather (IL)

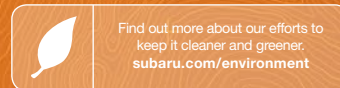
Color Combinations

| | 2.0i Premium | 2.0i Limited | Hybrid | Hybrid Touring |
|------------------------|--------------|--------------|--------|----------------|
| Satin White Pearl | IC | IL | IC | IL |
| Desert Khaki | BC | BL | — | — |
| Ice Silver Metallic | BC | BL | BC | BL |
| Tangerine Orange Pearl | BC | BL | — | — |
| Plasma Green | — | — | BC | BL |
| Venetian Red Pearl | IC | IL | — | — |
| Quartz Blue Pearl | IC | IL | IC | IL |
| Dark Gray Metallic | BC | BL | — | — |
| Crystal Black Silica | IC | IL | — | — |

— Not available

Responsible. Reliable. Ready to join the family.

At Subaru, we're committed to building a lasting, rewarding relationship with you and the world we share. We start by building our vehicles to last—it's why 96% of all the vehicles we've built in the last 12 years are still on the road today.¹ We also share your desire for a cleaner, greener world and now we're taking it one step further. Every 2014 XV Crosstrek, Impreza and non-turbo Forester, as well as select Outback and Legacy models, achieves Partial Zero Emission Vehicle—PZEV²—status, because of their exceptionally low emissions. What's more, in 2004 Subaru of Indiana Automotive, Inc., (SIA) became the first manufacturing facility in the U.S. to reach zero-landfill status—nothing from its manufacturing efforts ever goes into a landfill. Subaru is also headquartered in a zero-landfill office in Cherry Hill, NJ.



¹ Based on Polk U.S. Vehicles in Operation registration information for MY 2001–2013 as of January 2013.

² 2014 Subaru XV Crosstrek 2.0L models achieving a Partial Zero Emission Vehicle (PZEV) rating by the California Air Resources Board are available in all 50 states. Only those registered in California, Connecticut, Maine, Maryland, Massachusetts, New Jersey, New York, Rhode Island and Vermont will be eligible for the 15 years/150,000 mile emission warranty. Delaware, Oregon, Pennsylvania and Washington vehicles are not covered under PZEV emissions control warranty. See your warranty maintenance booklet for additional information.

Some images shown are for illustration purposes only. Specifications in this brochure are based on the latest product information available at the time of publication. For the most up-to-date and detailed product information, log on to www.subaru.com. Some equipment shown in photography in this brochure is optional at extra cost. Specific options may be available only in combination with other options. Specific combinations of equipment or features may vary from time to time and by geographic area. Certain accessories and equipment may not be available at the time of publication. Subaru of America, Inc., reserves the right to change or discontinue at any time, without notice, prices, colors, materials, equipment, accessories, specifications, models and packages without incurring any obligation to make the same or similar changes on vehicles previously sold. Colors shown may vary due to reproduction and printing processes.

This brochure was prepared by Subaru of America, Inc. A warranty from Subaru of America, Inc., is available only on cars sold to the first retail purchaser through an authorized Subaru dealer in the continental U.S. or Alaska. Every owner of the car during the warranty period shall be entitled to the benefit of these warranties. Subaru, SUBARU BOXER, Lineartronic and Added Security are registered trademarks. XV Crosstrek is a trademark of Subaru of America, Inc. Confidence in Motion and STARLINK are trademarks of Fuji Heavy Industries, Ltd. Aha is a trademark of HARMAN International Industries, Incorporated. Bluetooth is a registered trademark of Bluetooth SIG, Inc. HomeLink is a registered trademark of Prince Corporation, a wholly owned subsidiary of Johnson Controls. SiriusXM and NavTraffic are registered trademarks of SiriusXM Radio Inc. iPod and iTunes are registered trademarks of Apple Inc. HD Radio is a registered trademark of iBiquity Digital Corporation. For more information, contact your Subaru dealer or log on to subaru.com.

These brochures were printed with vegetable-based inks and produced using a "Green Printing Process" and FSC® standards. The Forest Stewardship Council™ (FSC) is an international organization that brings people together to find solutions which promote responsible stewardship of the world's forests and environments.

By producing these brochures in a green way rather than by traditional methods, we saved 91 trees preserved for the future; 42,285 gallons of wastewater flow saved; 2,830 lbs solid waste not generated; 7,797 lbs net greenhouse gases prevented; 41,000,000 BTUs energy not consumed. Calculations provided by Environmental Paper Network. FSC® is not responsible for any calculations on saving resources by choosing this paper.

Love. It's what makes a Subaru, a Subaru.

