



OTO Melara

A Finmeccanica Company

Land Systems

Turrets

25-30 mm



HITFIST® 25-30mm LIGHT TURRET FOR INFANTRY FIGHTING VEHICLES

HITFIST® is a two-man power operated turret incorporating the latest technologies in the fields of electronics, protection, signature and Man Machine Interface (MMI).

The turret structure is made of ballistic aluminium alloy; steel armour plates and composite material panels are installed to reach the required protection level. The low silhouette design, the retractable episcopes, the reduced total weight make the HITFIST® turret suitable for installation on wheeled/tracked vehicles air-transportable on C130.

The main armament consists of an automatic cannon, 25mm or 30mm, electrically controlled for elevation, traversing and firing operations; feeding is through belted rounds housed in two ammunition containers. As an option the main armament can also include two Anti Tank Missile Launchers, side mounted.

The turret is fitted for receiving a secondary armament composed of a 7,62mm machine gun coaxially mounted, a 7,62mm machine gun pintle mounted and a set of Smoke Grenade Launchers (option).

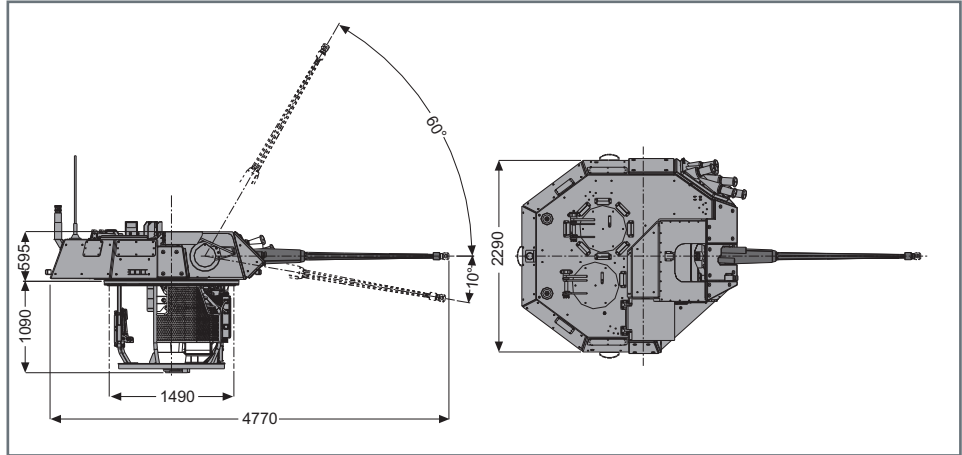
HITFIST® 's FCS guidance set allows engagement of targets by day and night; the electrical, fully digital servo-systems and the line of fire primarily stabilized ensure a high accuracy of fire. Crew consists of two men sat side by side in the turret: the Commander on the left, the Gunner on the right. A single man can fully operate the turret.

HITFIST® 's digital FCS includes a day TV camera, a 2nd Generation IR Camera, a telescopic day optical channel, an eye safe LRF, a meteo and a vertical reference sensors suite and a Laser Warning (option). The Commander and Gunner's symmetrical posts include two LCD colour displays.

HITFIST® FCS is fitted for receiving a self stabilized optical sight for day and night and a Commander Panoramic Sight with Day TV camera and IR Camera including situational awareness and full hunter capability modules.



- Combat proven
- High accuracy fire power: 30 mm, fully stabilized, 40 mm Supershot (option)
- FCS user friendly with digital electric servos
- Enhanced ballistic protection
- D/N sight with thermal channel and eyesafe laser
- ATGW missile integrated launching system (option)



HITFIST® 25-30mm LIGHT TURRET FOR INFANTRY FIGHTING VEHICLES



Main Armament

type/calibre

25mm OERLIKON KBA

30/40mm ATK MK 44

Anti Tank Armament

2 anti tank guided missile (ATGM)

Auxiliary Armament

Coaxial machine gun

1x7.62mm

Smoke Grenade Launchers

6 to 8 x 81mm

Pintle mount machine gun

1x7.62mm

Weight

Dry weight: 2350 Kg

Combat loaded: 2850 Kg

Training arc

unlimited

Elevation arcs

Main gun

-10° / +60°

Training speed/acceleration, max

1 rad/sec (1 rad/sec²)

Elevation speed/acceleration, max

0.5 rad/sec (1 rad/sec²)

Ammunition

Ready-to-fire-rounds (30mm)

> 220



A Finmeccanica Company

Main Office
19136 La Spezia via Valdilocchi, 15
tel. +39 0187 5811 - fax +39 0187 582669

Breda Meccanica Bresciana Unit
25126 Brescia via Lunga, 2
tel. +39 030 37911 - fax +39 030 322115

This document is property of OTO MELARA S.p.A. Reproduction even partial is not allowed. Description and illustrations of this document are of an indicative nature only and shall not be held binding. OTO MELARA S.p.A. reserves the right to introduce at any time and without public announcement, modifications, changes of details, equipment or accessories as considered necessary to improve the types described or for any other reason of a commercial or constructional nature.

N° S.N. 22 - SSMD 0075214 - 20.08.2013