



OTO Melara

A Finmeccanica Company

Land Systems

Turrets

30 mm



HITFIST® OWS 30mm (Overhead Weapon System) REMOTE WEAPON STATION FOR INFANTRY FIGHTING VEHICLES

The HITFIST® OWS is a remotely operated Overhead Weapon Station (OWS) incorporating the latest technologies in the fields of electronics, signature and Man Machine Interface (MM I); it is the best of class in terms of lethality, survivability and fight ability.

HITFIST® OWS can be easily installed on any tracked and wheeled vehicle, as no hull penetration is required, and it is ready to operate without any preparation.

The main armament consists of a 25mm or 30mm cannon, electrically controlled for elevation, traversing and firing operations. As an option the main armament can be also completed by side mounting two anti-tank missile launchers.

A 7,62mm machine gun can be coaxially mounted besides the main cannon.

HITFIST® OWS can be completely controlled by one crew member from a remote position, under armour protection, through a multifunction colour display and joysticks properly accommodated inside the vehicle. Moreover the operator, standing up from its own seat, can have a 360° direct vision of the battlefield through the episcopes, and perform the

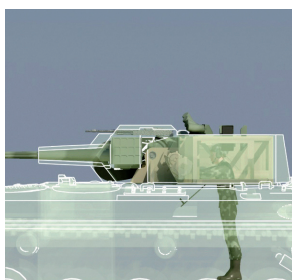
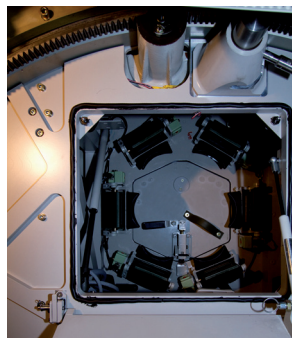
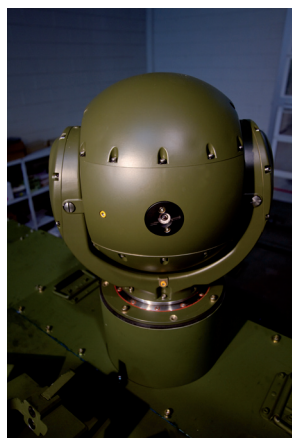
ammunition reloading and simple maintenance operations. The above mentioned operations can be performed through dedicated hatch in the floor of HITFIST® OWS and in the roof of the vehicle.

HITFIST® OWS's FCS guidance set allows engagement of targets by day and night; the electrical, fully digital and stabilized servo-systems ensure the highest accuracy.

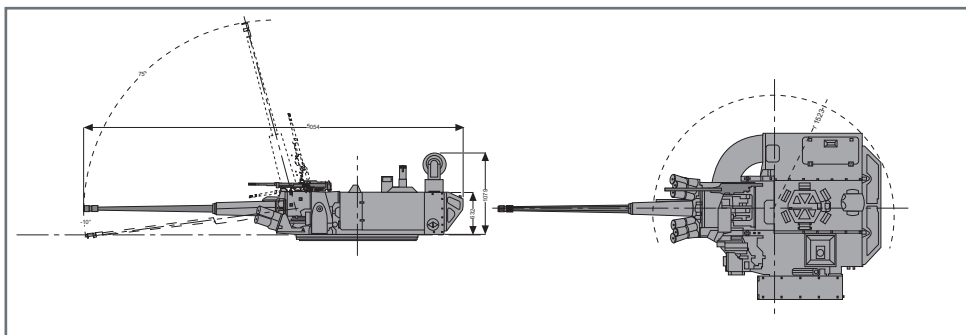
HITFIST® OWS's digital FCS includes a CCD camera, an IR Camera, an eye safe LRF, meteo and vertical reference sensors suite.

HITFIST® OWS can be fitted with a self stabilized Panoramic Sight with Day TV camera and IR Camera including situational awareness and full hunter capability modules. Moreover a second control station for the Commander can be accommodated under armour; when this second station is installed, either the Gunner or the Commander can fully operate the weapon systems.

In case of power failure HITFIST® OWS can be manually operated under protection, both in azimuth and elevation assisted by a back-up fiber optic direct sight for aiming.



- Ready to fire system
- All the subsystem under protection
- Low weight and small dimensions
- Remotely operated by one operator
- Direct panoramic view
- Manual back-up including fire from protected position
- Reloaded from protected position



HITFIST® OWS 30mm (Overhead Weapon System) REMOTE WEAPON STATION FOR INFANTRY FIGHTING VEHICLES

Armament

Main Weapon	30mm MK44 ATK
Secondary weapon	7.62 mm coaxial
Anti tank weapon	2 missile launchers (twined) - SPIKE - KORNET - INGWE

Firing direction system

Main weapon	Fully digital gyro stabilized
Gunner sight	Gyro stabilized in elevation
	Gen II IR camera
	Daylight Color TV Camera
	Laser Range Finder
	Back up fiber optic sight for manual aiming
Commander sight	6 episcopes LIP (low internal profile) on the roof
	1 front episcopes LIP under the floor for direct external vision direct from the crew compartment
	Panoramic stabilized day/night (option) or Panoramic Thermal Imager (option)

Ballistic computation

Manual back up	Full solution on the move
Gunner control panel	Dynamic tilt and meteo sensors
Commander control panel	Aiming and firing from inside
	Color LCD 12"
	Color LCD 10" standard - 12"(option)

Protection

Turret frame	Basic environmental all around, with 7.62 ball roof, interface up to Standard NATO 4569 lev.III (option) with add-on kit
--------------	--

Turret Accessibility

Through a dedicated hatch in the turret floor	Reloading, aiming solution
	Maintenance & repair

Weight

Dry	1650 kg with console in vehicle & Level 3 protection for crew compartment according to configuration and level protection
-----	---

Controls

Traverse arc	N x 360°
Elevation arc	-10° +75°
Traverse speed	0.5 /0.8 rad/s
Elevation speed	0.8 rad/s